

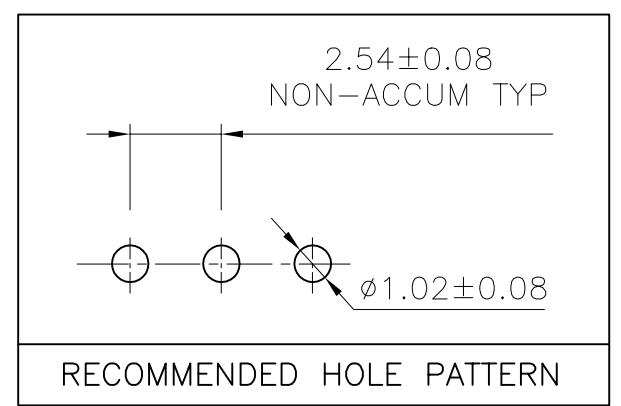
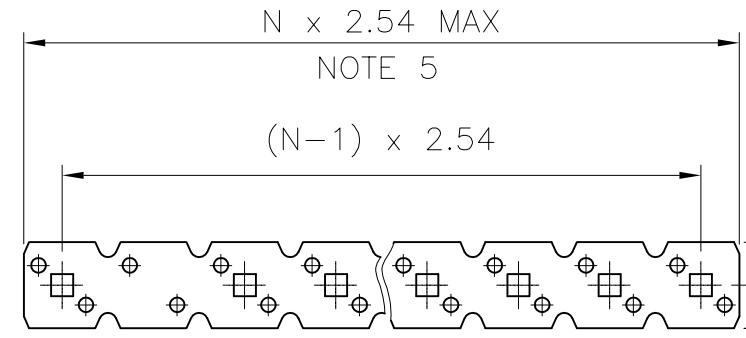
PRODUCT NUMBER

77312-YXXLF

WHEN REQUIRED, ADD SUFFIX LETTER "LF"
INDICATES THE PRODUCT IS RoHS
COMPATIBLE, SEE NOTE 7

PIN STYLE

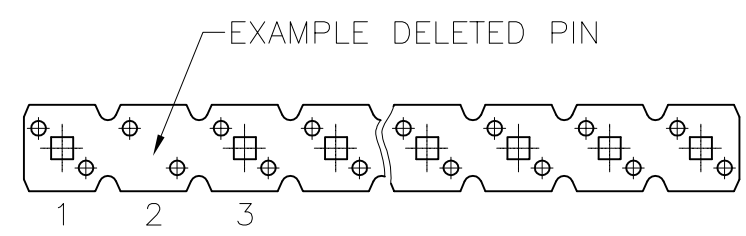
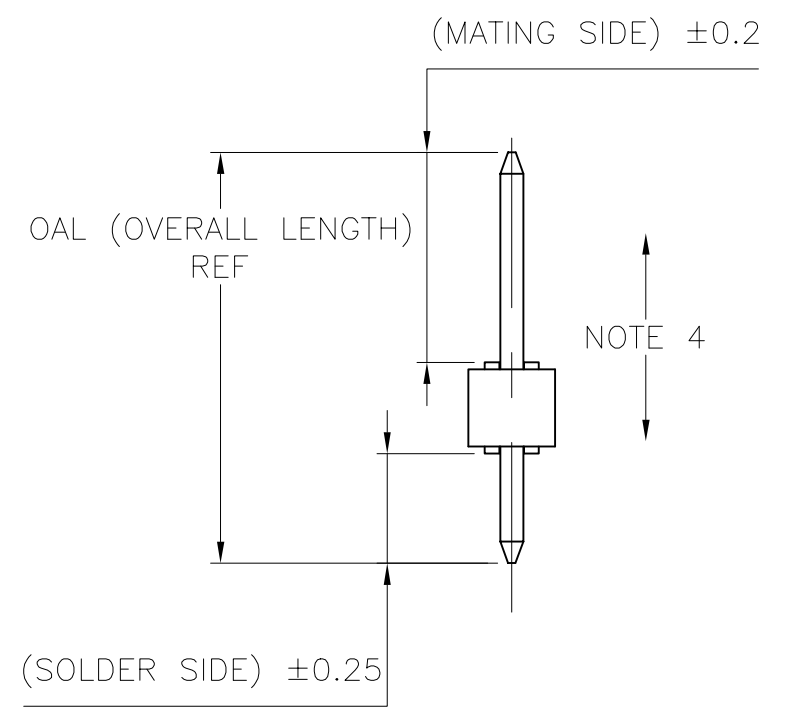
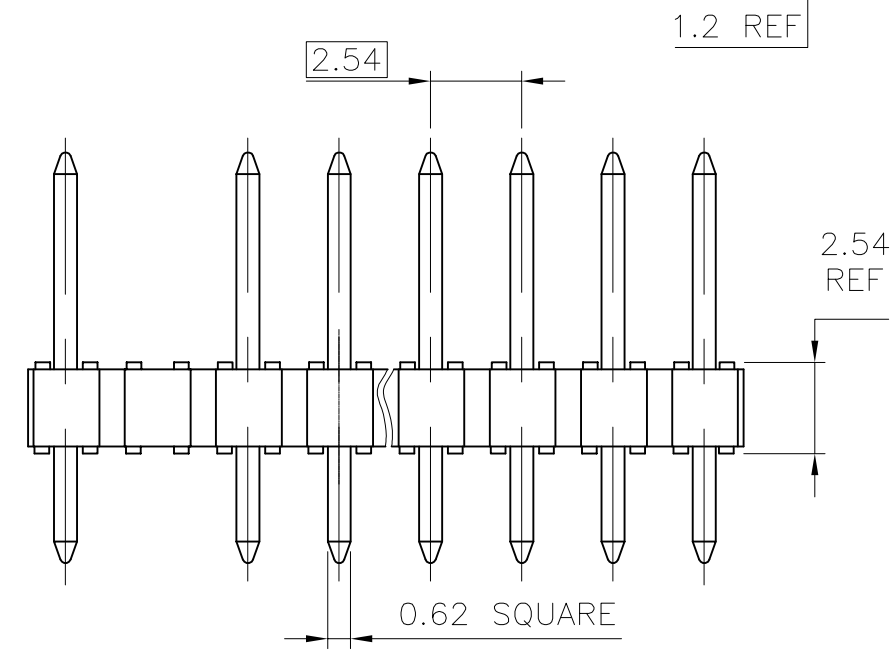
PLATING SEE SHEET 2



NOTES:

1. HOUSING MAT'L : HIGH TEMPERATURE THERMOPLASTIC. UL94V-0 COLOR: BLACK
2. PIN MATERIAL : PHOSPHOR BRONZE
3. PRODUCT PACKAGED IN POLY BAGS.
4. 9N MIN RETENTION IN EITHER DIRECTION
5. TO DETERMINE DIMENSIONS :
N = NUMBER OF POSITIONS PER ROW
EXAMPLE : 8 POS N x 2.54 = 20.32mm
6. UNDERPLATING : 1.27µm Ni MIN
7. RoHS COMPATIBLE PRODUCT SPECIFICATIONS

- a - PLATING:
- "LF" MEANS THE PRODUCT IS LEAD-FREE, 2µm MINIMUM MATTE TIN OVER 1.27µm MINIMUM NICKEL UNDERPLATE.
- b - MANUFACTURING PROCESS COMPATIBILITY
- THE HOUSING WILL WITHSTAND EXPOSURE TO 260°C ±5°C SOLDER BATH TEMPERATURE FOR 5 SECONDS IN A WAVE SOLDER APPLICATION WITH A 1.6mm MIN THICK CIRCUIT BOARD.
- c - LABELING:
- MEETS PACKAGING SPECS AS PER GS-14-920
- d - LEGAL STATEMENT: SEE GS-22-008



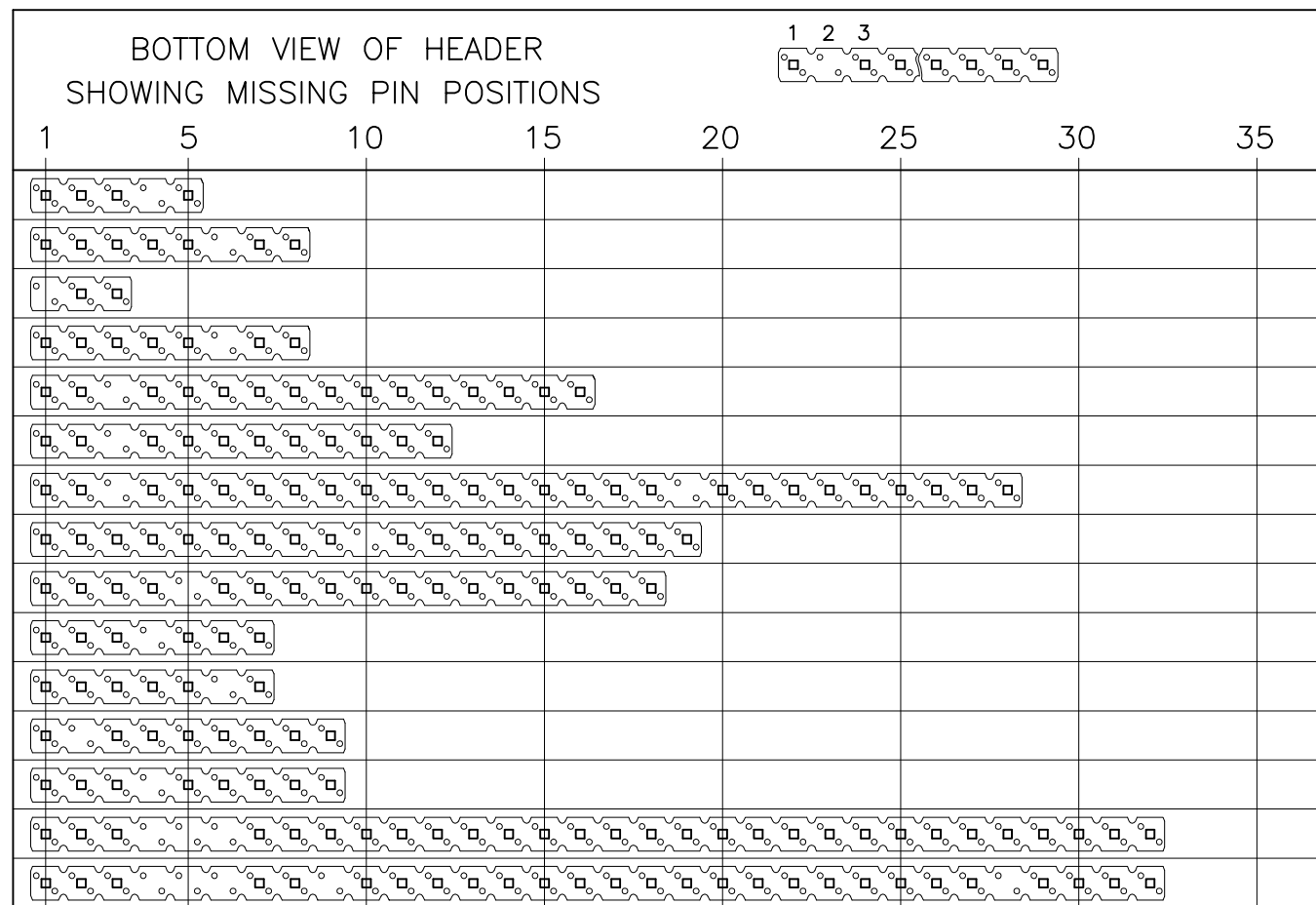
BOTTOM VIEW

mat'l. code SEE NOTES				surface ISO 1302	tolerance ISO 406 ISO 1101	projection mm	product family BSTIK
ltr	ecn no	dr	date	tolerances unless otherwise specified		scale 5:1	title HEADER SR,STR, POL,DUPLEX,2.54mm
AA	F04-0167	JCO	04.04.05	angles	linear		dwg no 77312
AB	F04-0362	LMU	04.11.27				sheet 1 of 4
AC	F06-0196	LMU	06.06.20				size A3
AD	F08-0148	RTR	08.03.31	dr	COMPAGNON J	95.10.27	type CUSTOMER Drawing
				enr	JMC	95.10.27	
X	F10707	LMU	01.11.28	chr			
Y	F04-0129	LMU	04.02.04	appd	JMC	95.10.27	
sheet index	revision sheet	AD	P	M	U		
		1	2	3	4		



Copyright FCI

PIN STYLE	PRODUCT DEFINITION			
	NB OF POS	MATING SIDE	SOLDER SIDE	("OAL") REF
01	1x 5	5.84	3.42	11.8
02	1x 8	5.84	3.42	11.8
03	1x 3	5.84	3.42	11.8
04	1x 8	5.72	2.54	10.8
05	1x 16	5.72	2.54	10.8
06	1x 12	5.72	2.54	10.8
07	1x 28	5.84	3.42	11.8
15	1x 19	5.84	3.42	11.8
16	1x 18	5.84	3.42	11.8
17	1x 7	5.84	3.42	11.8
18	1x 7	5.84	3.42	11.8
19	1x 9	5.84	3.42	11.8
20	1x 9	5.84	3.42	11.8
21	1x 32	5.84	3.42	11.8
22	1x 32	5.84	3.42	11.8



77312-8XXLF	0.38μm Au/GXT	2.0-7.5μm Sn MATTE
77312-4XXLF	2.0-7.5μm Sn MATTE	
77312-2XXLF	1.27μm Au	2.0-7.5μm Sn MATTE
77312-1XXLF	0.76μm Au/GXT	2.0-7.5μm Sn MATTE
77312-1XXSLF	0.76μm Au/GXT	GOLD FLASH

77312-8XX	0.38μm Au/GXT	4μm SnPb
77312-4XX	4μm SnPb FULL PLATED	
77312-2XX	1.27μm Au	4μm SnPb
77312-1XX	0.76μm Au/GXT	4μm SnPb
77312-1XXS	0.76μm Au/GXT	GOLD FLASH
PLATING CODE	CONTACT AREA	REMAINDER
	PLATING THICKNESS OVER 1.27μm Ni	

mat'l. code				surface ISO 1302	tolerance ISO 406 ISO 1101	projection 	product family BSTIK
ltr	ecn no	dr	date	tolerances unless otherwise specified		mm 	title HEADER,SR,STR, POL,DUPLEX,2.54mm
J	F40810	JMC	94.10.20	angles	linear		
K	F50801	JMC	95.10.27			scale 1:1	dwg no 77312
L	F60884	OMA	96.12.05				
M	F10707	LMU	01.11.28	dr	COMPAGNON J	95.01.11	sheet 2 of - size
N	F06-0196	LMU	06.06.20	engr	JMC	95.10.27	A3
P	F08-0148	RTR	08.03.31	chr			
				appd	JMC	95.10.27	type CUSTOMER Drawing
sheet index	revision sheet						



FCIconnect.com

Copyright FCI

1

2 3

4

5

6

PIN STYLE	PRODUCT DEFINITION			
	NB OF POS	MATING SIDE	SOLDER SIDE	("OAL") REF
23	1x 13	5.84	3.42	11.8
24	1x 14	5.84	3.42	11.8
25	1x 4	5.84	3.42	11.8
26	1x 10	5.84	3.42	11.8
27	1x 10	5.84	3.42	11.8
28	1x 6	5.72	2.54	10.8
29	1x 7	5.84	3.42	11.8
30	1x 19	5.84	3.42	11.8
31	1x 25	5.84	3.42	11.8
32	1x 15	5.84	3.42	11.8
33	1x 8	5.84	3.42	11.8
34	1x 10	5.84	3.42	11.8
35	1x 6	5.84	3.42	11.8
36	1x 11	5.84	3.42	11.8
37	1x 29	5.84	3.42	11.8
38	1x 25	5.84	3.42	11.8
39	1x 5	5.72	2.54	10.8
40	1x 11	5.72	3.05	11.3
41	1x 11	5.72	3.05	11.3
42	1x 8	7.75	3.06	13.35
43	1x 7	5.84	3.42	11.8
44	1x 7	5.72	2.54	10.8
45	1x 20	5.72	7.64	15.9



mat'l. code				surface ISO 1302 <input checked="" type="checkbox"/>	tolerance ISO 406 ISO 1101	projection 	product family BSTIK	
ltr	ecn no	dr	date	tolerances unless otherwise specified		mm 	title HEADER,SR,STR, POL,DUPLEX,2.54mm	
J	F40810	JMC	94.10.20	angles	linear		scale 1:1	
K	F50801	JMC	95.10.27				dwg no 77312	
L	F10707	LMU	01.11.28	dr	COMPAGNON J		95.10.11	sheet of - size A3
M	F06-0196	LMU	06.06.20	enr	JMC		95.10.27	type CUSTOMER Drawing
sheet index		revision sheet						

form: A3

1

2

3

4

5

6



FCIconnect.com

Copyright FCI

PIN STYLE	PRODUCT DEFINITION				BOTTOM VIEW OF HEADER SHOWING MISSING PIN POSITIONS										
	NB OF POS	MATING SIDE	SOLDER SIDE	("OAL") REF	1	5	10	15	20	25	30	35			
46	1x 11	5.72	3.05	11.3											
48	1x 4	5.72	3.05	11.3											
49	1x 16	5.72	7.64	15.9											
50	1x 3	5.72	3.05	11.3											
51	1x 5	5.72	3.05	11.3											
52	1x 13	5.72	3.05	11.3											
53	1x 35	5.72	3.05	11.3											
54	1x 11	5.72	3.05	11.3											
55	1x 23	12.83	3.03	18.4											
56	1x 23	17.5	3.46	23.5											
57	1x 5	5.84	3.42	11.8											
58	1x 7	5.72	3.05	11.3											
59	1x 5	5.72	3.05	11.3											
60	1x 6	5.72	3.05	11.3											
61	1x 8	5.72	3.05	11.3											
62	1x 4	5.72	3.05	11.3											
63	1x 4	15.57	2.84	20.95											
65	1x 4	5.72	2.54	10.8											
66	1x 8	5.72	2.54	10.8											
67	1x 4	5.72	3.05	11.3											
68	1x 4	5.72	3.05	11.3											
69	1x 6	5.72	3.05	11.3											
70	1x 3	5.72	2.54	10.8											
71	1x 5	5.84	2.42	10.8											
72	1x 13	5.72	2.54	10.8											
73	1x 8	5.84	2.41	10.8											
74	1x 16	5.84	2.41	10.8											

mat'l. code				surface <input checked="" type="checkbox"/> ISO 1302 <input type="checkbox"/> ISO 406 <input type="checkbox"/> ISO 1101		tolerance		projection		product family			
ltr				ecn no		dr		date		tolerances unless otherwise specified		title	
S				F10355		LMU		01.06.25		angles		mm	
T				F10707		LMU		01.11.28		linear		scale N/A	
U				F06-0196		LMU		06.06.20		dr		COMPAGNON J 95.10.11	
N				F70815		OMA		97.12.23		engr		JMC 95.10.27	
P				F00475		LMU		00.08.10		chr			
R				F00836		LMU		00.11.10		appd		JMC 95.10.27	
sheet index		revision sheet											

product family		BSTIK	
title		HEADER, SR, STR, POL, DUPLEX, 2.54mm	
dwg no		77312	
sheet 4 of		size A3	
type		CUSTOMER Drawing	